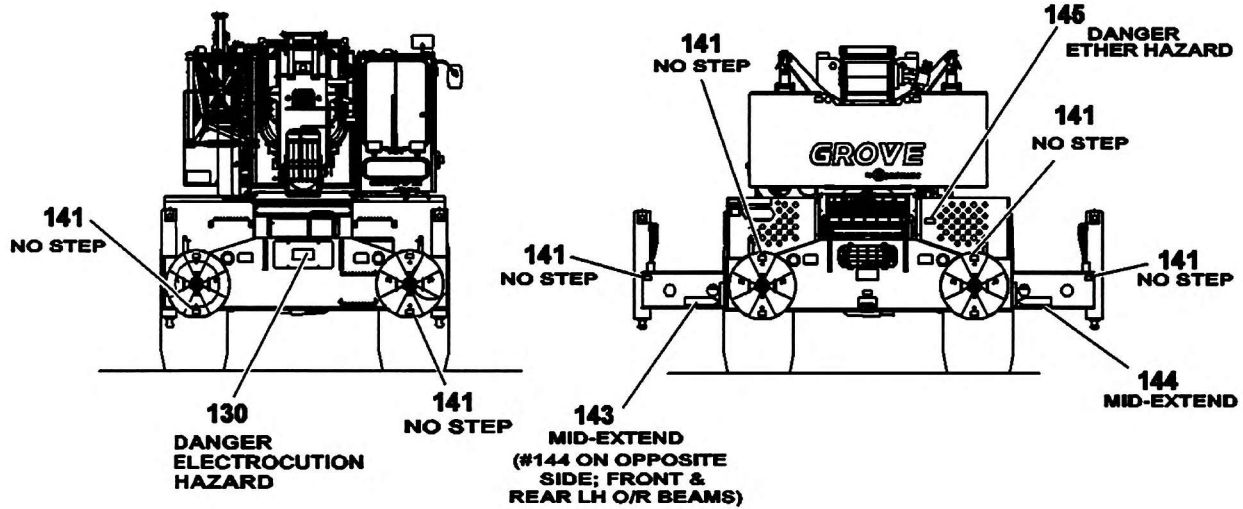
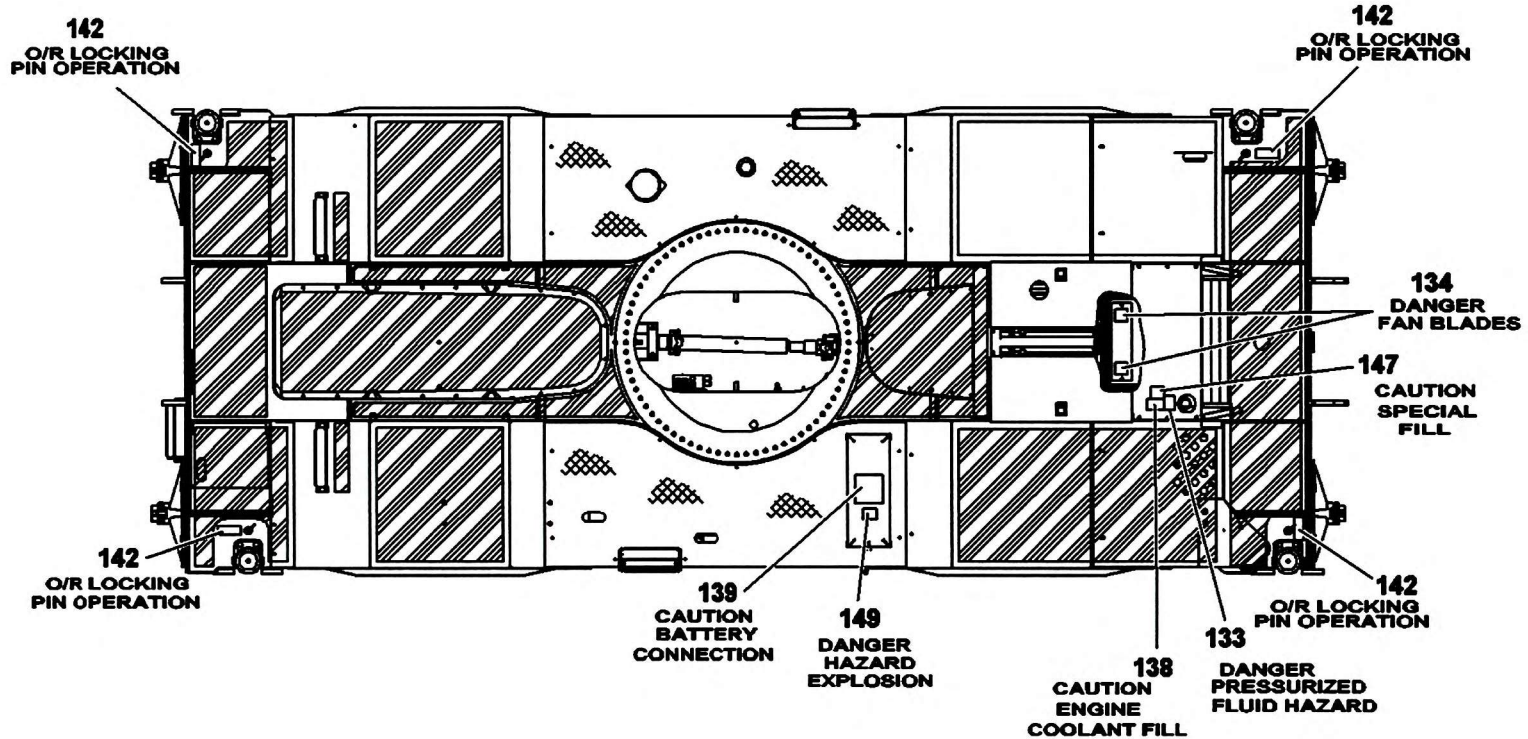
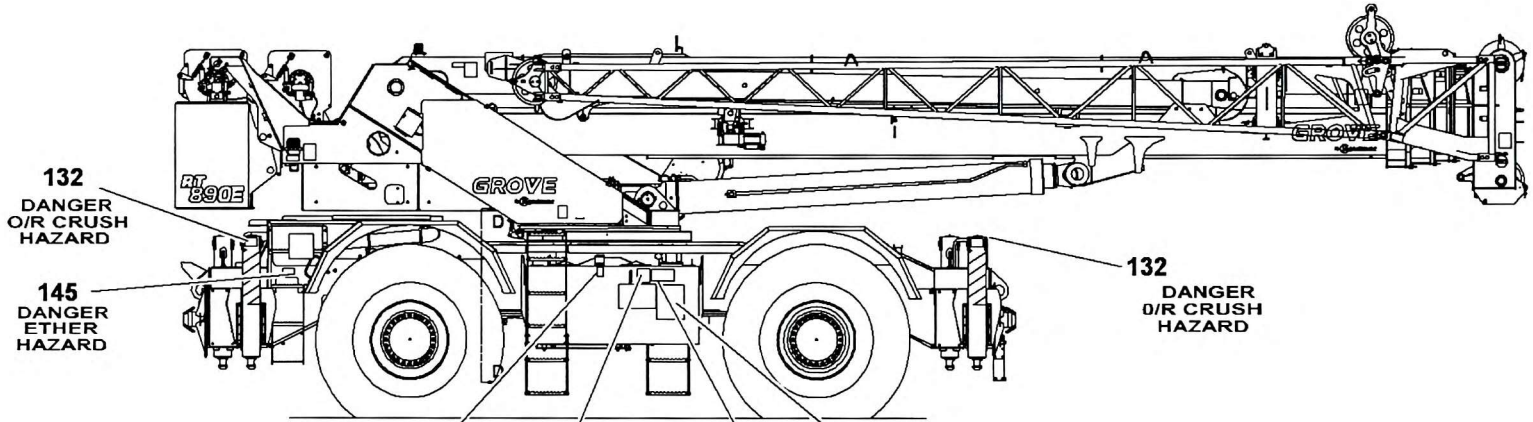
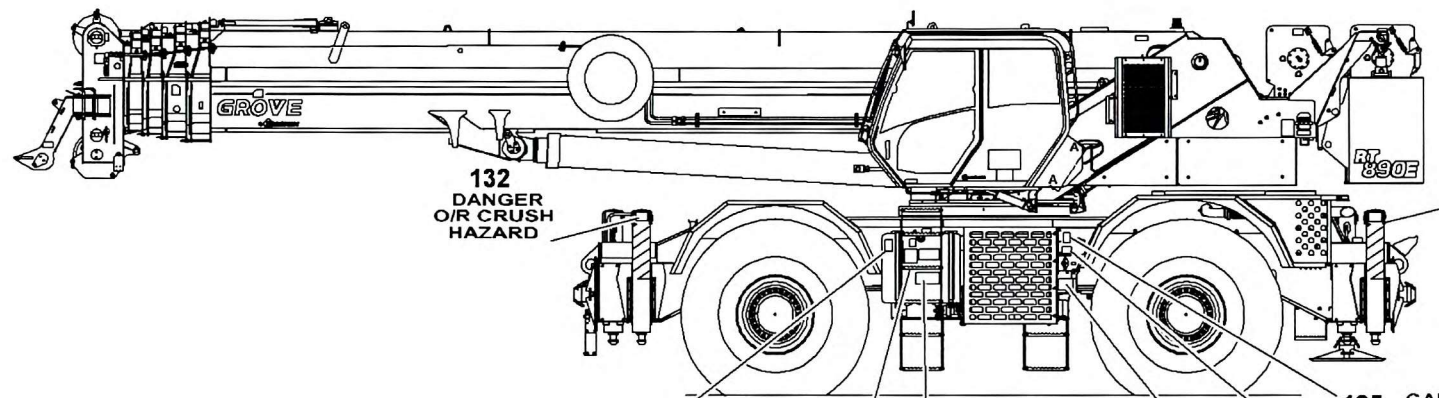


BATTERY COMPARTMENT





139 HYD OIL
131 DANGER REVOLVING TIRES
130 DANGER ELEC HAZARD
146 HAND SIGNALS



148 DANGER FIRE HAZARD

130 DANGER ELEC HAZARD

131 DANGER REVOLVING TIRES

140 POWER PANEL

137 CAUTION BATTERY DISCONNECT

135 CAUTION ELECTRONICS DAMAGE

(SHEET 1 OF 3)